

H125/H150/H200M/H200/H300 Series Sand Filter Systems



The H-Series Family H125, H150, H200, H200M, H300

Sand Filtration Systems

Sand is the traditional suspended solids removal media. This high silica content media meets AWWA-B100-96 specifications for industrial and municipal water treatment.

Water quality parameters: pH full range.


Hellenbrand[®]

H125/H150/H200M/H200/H300 Sand Filter Systems

MODEL	PIPE SIZE	CF FILTER MEDIA	TANK SIZE	WATER QUALITY			BACK WASH FLOW RATE	DIMENSIONS ¹					EST. SHIP WT. LBS.
				SUPERIOR	HIGH	UTILITY		TOTAL H ²	INLET I	OUTLET O	DRAIN D	WIDTH W	
H125-SA-10-1	1.25	1	10x44	1	2	3	8	51	46	46	50	11	190
H125-SA-10-1.5	1.25	1.5	10x54	1	2	3	8	63	57	57	58	11	224
H125-SA-13-2	1.25	2	13x54	2	3	5	14	63	57	57	58	14	312
H125-SA-14-3	1.25	3	14x65	2	3	5	16	74	68	68	69	15	443
H125-SA-16-4	1.25	4	16x65	3	4	7	20	74	67	70	68	17	624
H125-SA-18-5	1.25	5	18x65	4	5	9	25	76	68	71	69	19	720
H150-SA-14-3	1.5	3	14x65	2	3	5	16	74	68	69	70	15	453
H150-SA-16-4	1.5	4	16x65	3	4	7	20	74	68	69	70	17	584
H150-SA-18-5	1.5	5	18x65	4	5	9	25	76	69	70	71	19	730
H150-SA-21-6	1.5	6	21x62	5	7	12	35	72	65	67	67	22	856
H200M-SA-14-3	2	3	14x65	2	3	5	16	78	69	69	78	15	468
H200M-SA-16-4	2	4	16x65	3	4	7	20	78	69	69	78	17	649
H200M-SA-18-5	2	5	18x65	4	5	9	25	80	71	71	80	19	745
H200M-SA-21-6	2	6	21x62	5	7	12	35	80	71	71	80	22	886
H200M-SA-24-8	2	8	24x72	6	9	16	45	88	79	79	88	25	1405
H200-SA-24-8 ³	2	8	24x72	6	9	16	45	89	83	87	85	25	1410
H200-SA-30-15 ³	2	15	30x72	10	15	25	75	86	80	84	82	31	2040
H300-SA-36-20 ³	3	20	36x72	14	21	35	105	104	96	96	100	37	2720
H300-SA-42-30 ³	3	30	42x72	19	29	48	145	109	102	102	104	43	3580

¹All dimensions are ± 1"

²Allow additional 12" for media loading

³Available in top-mount or side-mount

- Service and backwash flow rates are based on 50°F incoming water temperature.
- Operating parameters - pressure range 40-100 PSI; temperature range 40°-110°F.
- Product improvement designs are subject to change without notice

As a general rule - Lower flows produce higher quality water and a larger volume of treated water between backwashing.

Superior

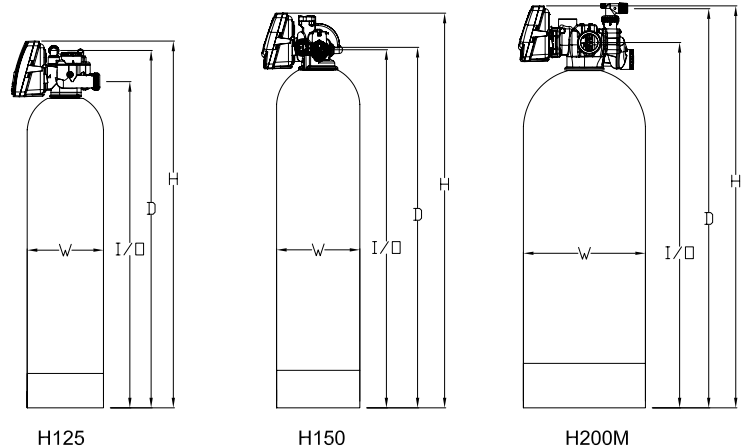
- Recommended for most filtering applications under all operating conditions.
- Best quality water
- Maximum time on line between backwashing
- Lowest pressure loss
- Recommended for influent suspended solids loads up to and greater than 300 ppm.

High

- Well suited for many filtering applications
- Very good quality water
- Moderate time on line between backwashing
- Increased pressure loss
- Recommended for influent suspended solids loads less than 300 ppm.

Utility

- Flow rates listed are at peak design - operation at higher flow rates not recommended
- Satisfactory water quality
- Shorter on line time
- Higher pressure loss
- Recommended for influent suspended solids loads less than 150 ppm.



Consult Hellenbrand's engineering department for additional sizes, modifications or special applications.



1-800-626-1417
www.hellenbrand.com

800312
8/09 - LBRY
©2009